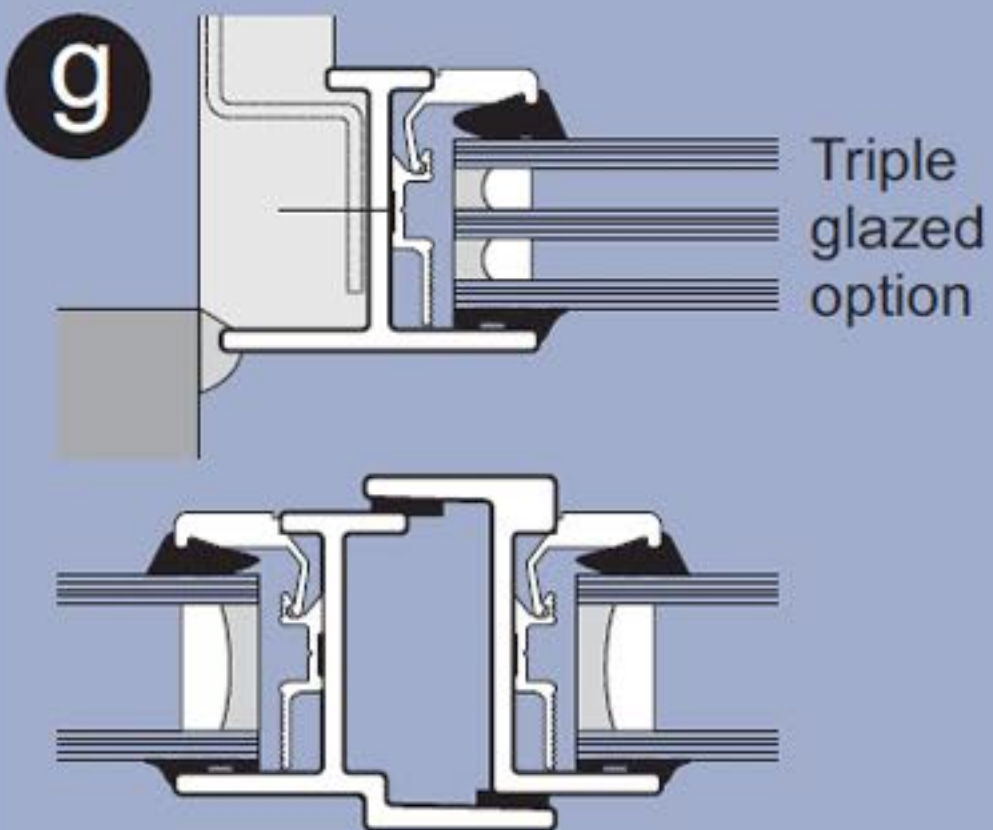
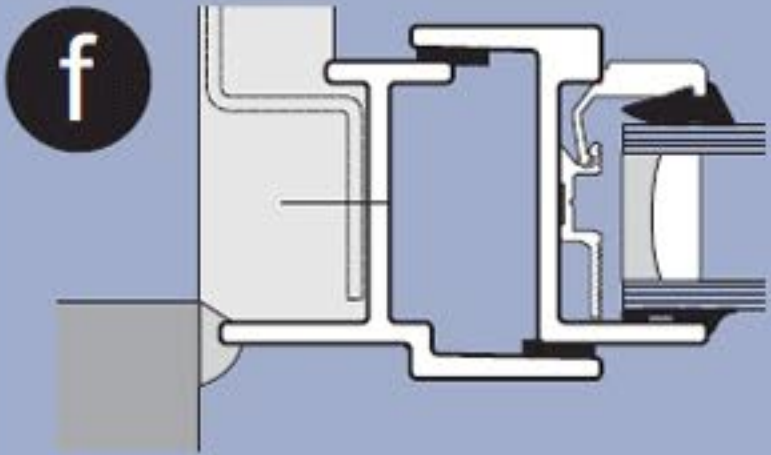


Scale 1:20



Double leaf meeting stile

Scale 1:2

**a**

**b**

Weatherdrip transom coupling

**c**

Glazing bar  
(refer to W30 details for optional duplex face applied glazing bars for smaller sightlines)

**d**

Direct coupling

**e**

Pressed metal cill

