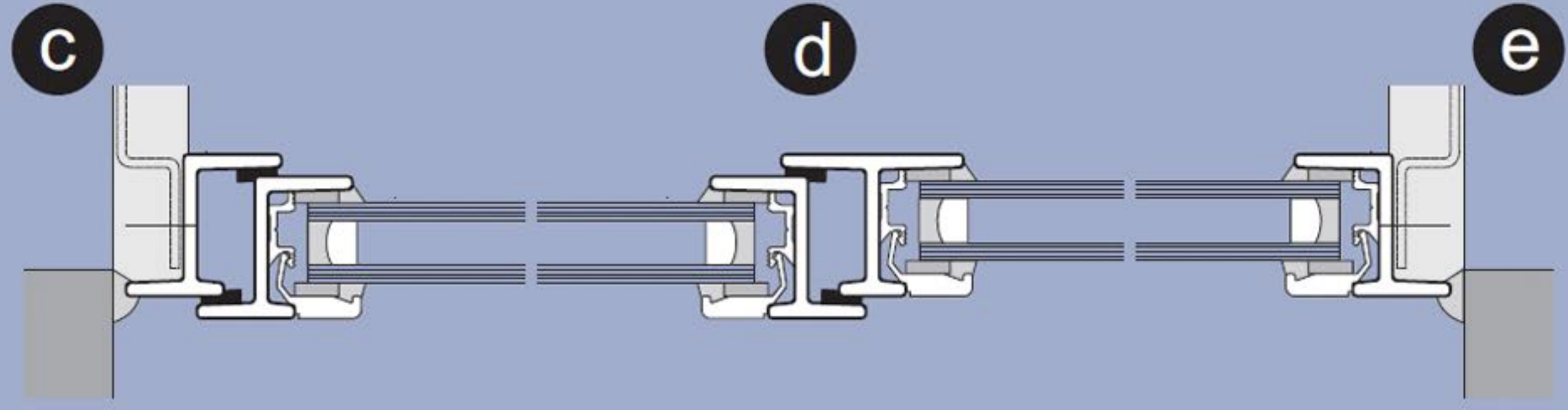
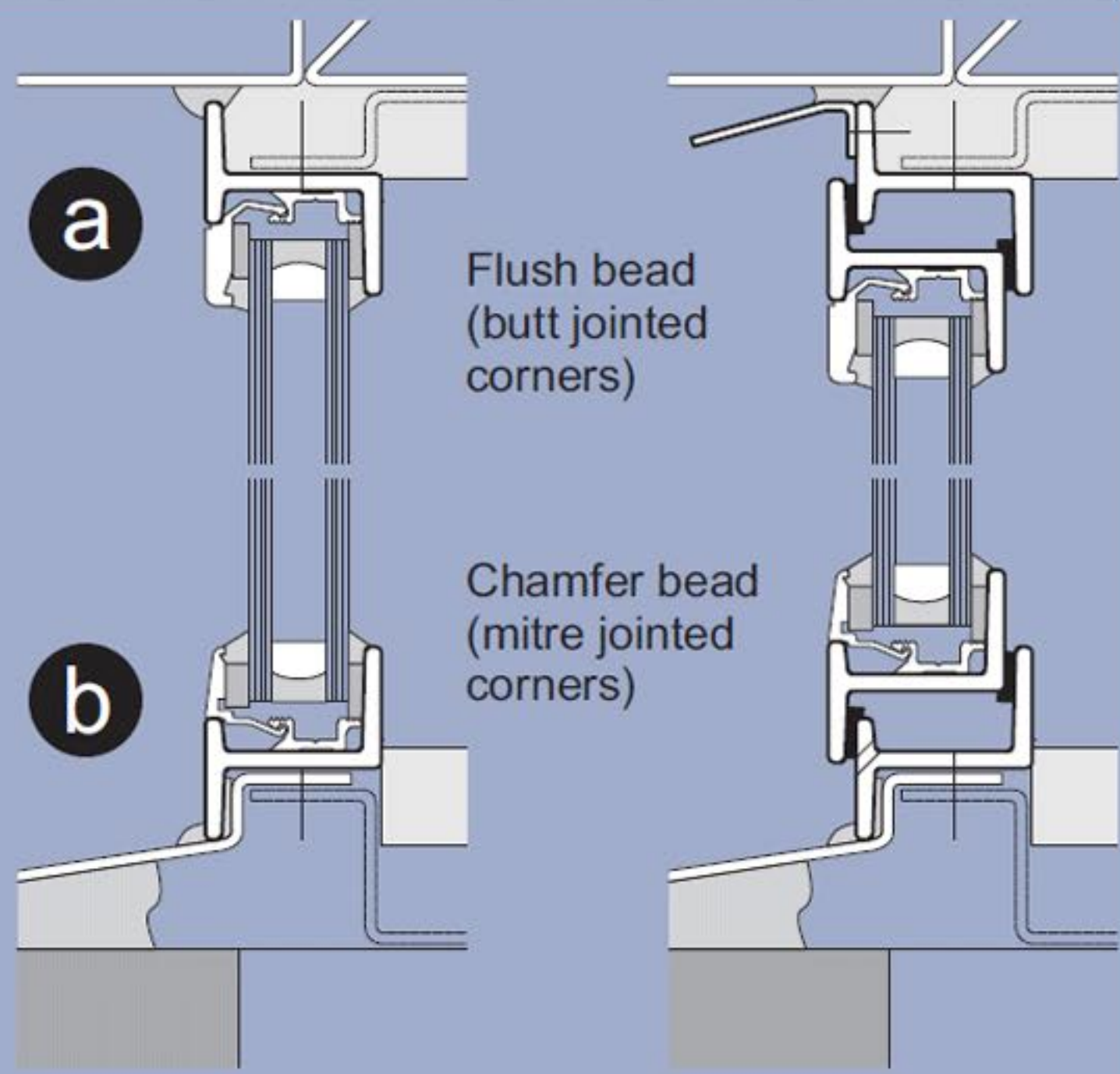


Scale 1:20

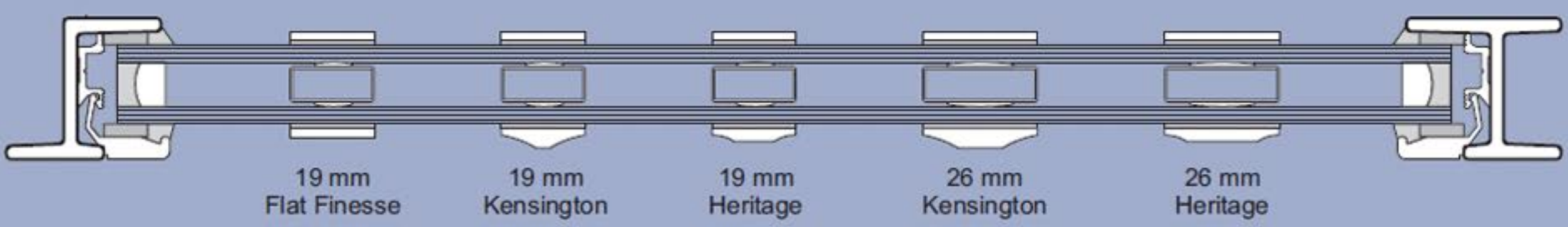


Pressed box mullion
(Typical detail - all pressed items are purpose made to suit application)

Glazing bar

19 mm or 26 mm Flat Finesse bar internally (with either butt joints or Fenstra overlapping joints)

Optional equal-leg section for flush surround and coupling fixing



Typical glazing bars (duplex type)

These face applied cosmetic glazing bars are available on all window ranges supplied by Steel Window Services in any combination and can be premium 3-part (as shown) or economical 2-part (inside and outside of outside pane only)

Scale 1:2

