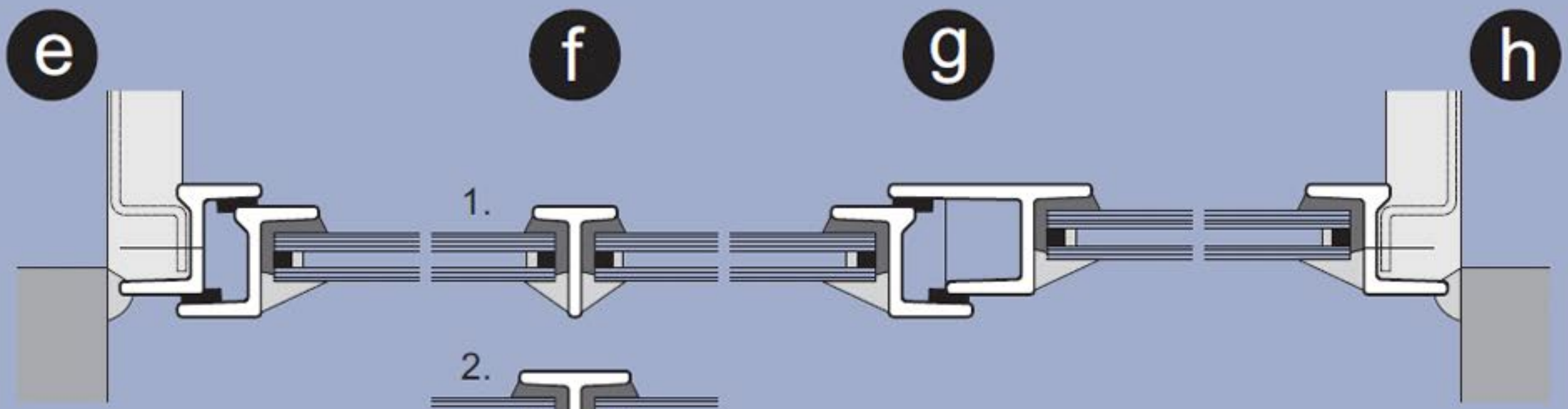
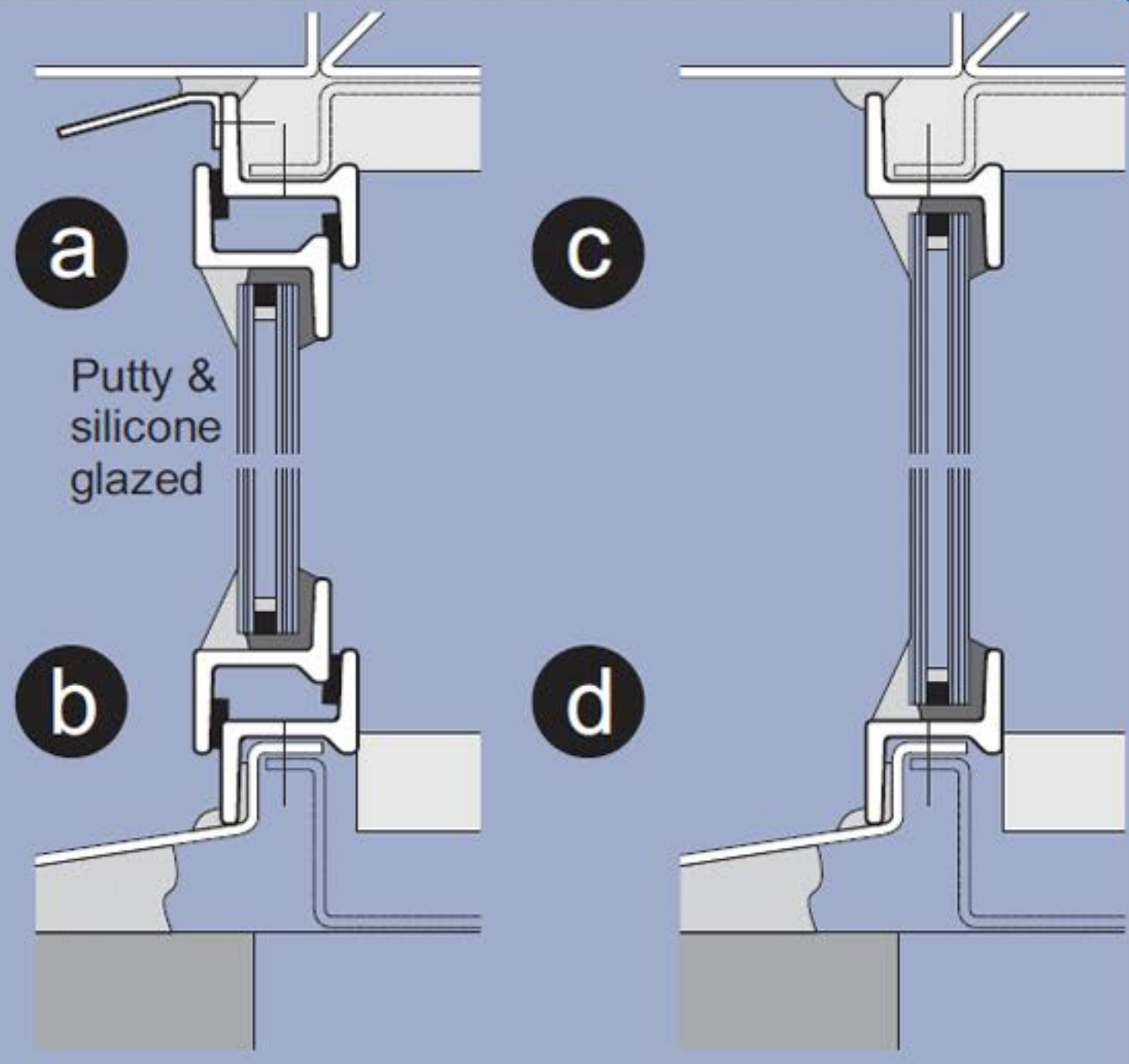
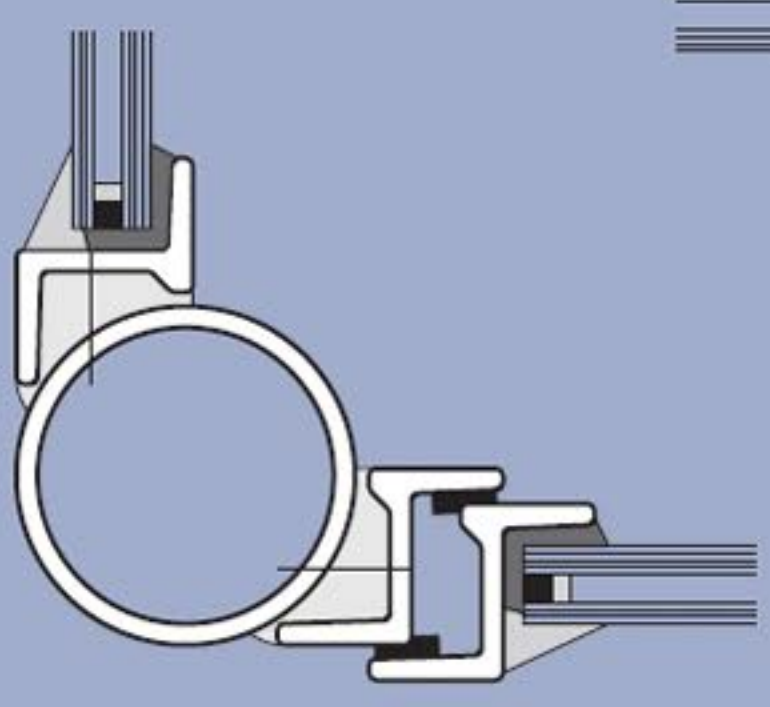


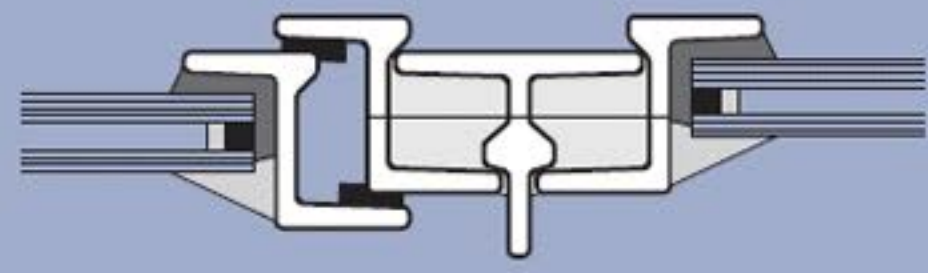
Scale 1:20



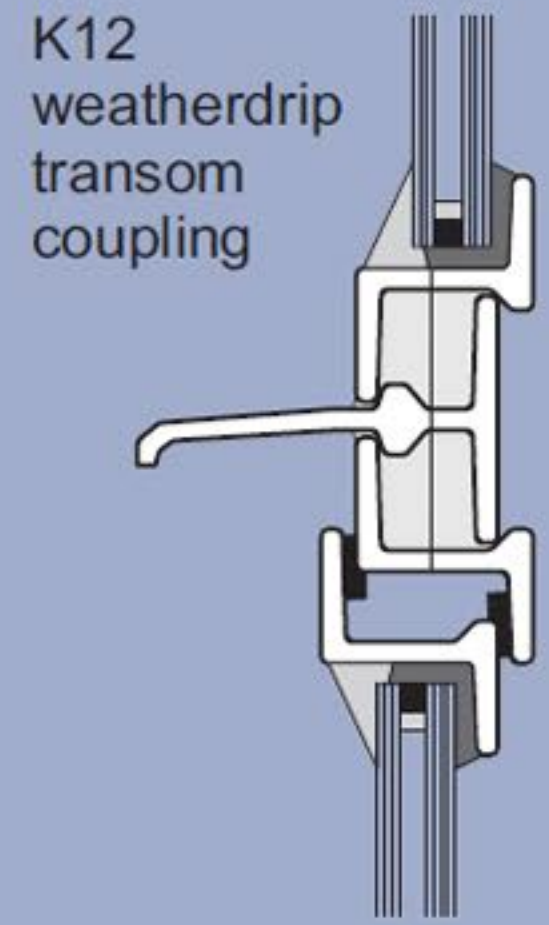
glazing bar sizes
 1) 19 mm x 25 mm
 2) 25 mm x 25 mm
 3) 29 mm x 25 mm



Typical circular hollow section tubular mullion coupling



K11 mullion coupling



K12 weatherdrip transom coupling

Scale 1:2

